

ROLLER CABINETS

YATO 

No Limits Media  
DESIGN FOR PERFORMANCE  
TURBOCHARGEDLIFE.COM



- ILLUMINATED LOGO
- LOCKED DRAWER INDICATOR
- DIGITAL LOCK
- UNLIMITED NUMBER OF USERS

YT-09004

- 982x755 x455 mm
- 7x
- BALL BEARINGS ŁOŻYSKA KULKOWE
- DRAWERS LOCKING BLOKADA SZUFLAD
- 2x BRAKE HAMULEC
- NON SLIP WORKTOP BLAT ANTY-POŚLIZGOWY
- Ø125 mm
- LED LIGHT DIODA
- 2x



- 157 PCS
- 977x725 x480 mm
- 7x
- 3 TRAYS TACE
- EVA
- BALL BEARINGS ŁOŻYSKA KULKOWE
- OIL PROOF STEEL WORKTOP OLEJODOPORNY STALOWY BLAT
- 2x BRAKE HAMULEC
- Ø120 mm
- UNIVERSAL PERFORATION UNIWERSALNA PERFORACJA
- CENTRAL LOCK BLOKADA CENTRALNA
- 2x
- CORNER BUMPERS NAROŻNIE ODBOJNIKI



YT-55308

**NEW DESIGN**  
**LOCK PREVENTING MORE THAN ONE DRAWER BEING SIMULTANEOUSLY OPENED**

YT-09032

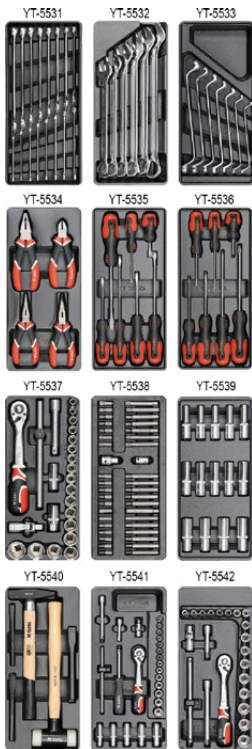
- 977x725 x480 mm
- 7x
- BALL BEARINGS ŁOŻYSKA KULKOWE
- OIL PROOF STEEL WORKTOP OLEJODOPORNY STALOWY BLAT
- 2x BRAKE HAMULEC
- UNIVERSAL PERFORATION UNIWERSALNA PERFORACJA
- CORNER BUMPERS NAROŻNIE ODBOJNIKI
- CENTRAL LOCK BLOKADA CENTRALNA
- 2x



- 975x765 x465 mm
- 6x
- BALL BEARINGS ŁOŻYSKA KULKOWE
- DRAWERS LOCKING BLOKADA SZUFLAD
- NON SLIP WORKTOP BLAT ANTY-POSLIZGOWY
- 2x BRAKE HAMULEC
- UNIVERSAL PERFORATION UNIWERSALNA PERFORACJA
- DOUBLE WALLS PODWÓJNE SCIANY
- CORNER BUMPERS NAROŻNE ODBOJNIKI
- 2x



**YT-5530**  
177 PCS

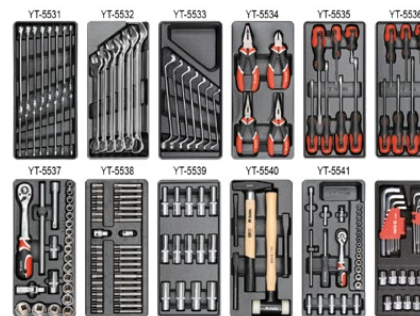


**YT-55299**



- 185 PCS
- 970x770 x470 mm
- 6x
- BALL BEARINGS ŁOŻYSKA KULKOWE
- NON SLIP WORKTOP BLAT ANTY-POSLIZGOWY
- DOUBLE WALLS PODWÓJNE SCIANY
- UNIVERSAL PERFORATION UNIWERSALNA PERFORACJA
- CENTRAL LOCK BLOKADA CENTRALNA
- 2x
- CORNER BUMPERS NAROŻNE ODBOJNIKI

**YT-55307**



- 177 PCS
- 958x766 x465 mm
- 6x
- BALL BEARINGS ŁOŻYSKA KULKOWE
- DRAWERS LOCKING BLOKADA SZUFLAD
- NON SLIP WORKTOP BLAT ANTY-POSLIZGOWY
- BRAKE HAMULEC
- UNIVERSAL PERFORATION UNIWERSALNA PERFORACJA
- DOUBLE WALLS PODWÓJNE SCIANY
- CORNER BUMPERS NAROŻNE ODBOJNIKI

**YT-5530**



**211**  
PCS


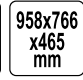









980x770  
x465  
mm

**YT-55290**



-  BALL BEARINGS  
ŁOŻYSKA  
KULKOWE
-  DRAWERS  
LOCKING  
BLOKADA  
SZUFLAD
-  NON SLIP  
WORKTOP  
BLAT ANTY-  
POŚLIZGOWY
-  BRAKE  
HAMULEC
-   $\varnothing 125$ mm
-  7x
-  UNIVERSAL  
PERFORATION  
UNIWERSALNA  
PERFORACJA
-  DOUBLE  
WALLS  
PODWÓJNE  
SCIANY
-  CORNER  
BUMBERS  
NAROŻNE  
ODBOJNIKI
-  3x T



-  CORNER  
BUMBERS  
NAROŻNE  
ODBOJNIKI
-  958x766  
x465  
mm
-  BALL BEARINGS  
ŁOŻYSKA  
KULKOWE
-  6x
-  NON SLIP  
WORKTOP  
BLAT ANTY-  
POŚLIZGOWY
-  DRAWERS  
LOCKING  
BLOKADA  
SZUFLAD
-  BRAKE  
HAMULEC
-   $\varnothing 125$ mm
-  UNIVERSAL  
PERFORATION  
UNIWERSALNA  
PERFORACJA
-  DOUBLE  
WALLS  
PODWÓJNE  
SCIANY
-  2x T

**YT-0902**



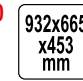
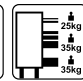








**YT-55293**

**165**  
PCS

958x766  
x465  
mm











**YT-09000**

-  932x665  
x453  
mm
-  BALL BEARINGS  
ŁOŻYSKA  
KULKOWE
-  7x
-  CENTRAL  
LOCK  
BLOKADA  
CENTRALNA
-  NON SLIP  
WORKTOP  
BLAT ANTY-  
POŚLIZGOWY
-  2x  BRAKE  
HAMULEC
-   $\varnothing 125$ mm
-  UNIVERSAL  
PERFORATION  
UNIWERSALNA  
PERFORACJA
-  2x T



YT-09033

NEW DESIGN  
STEEL WORKTOP  
SIDE STORAGE

1100x990 x480 mm	7x				BALL BEARINGS ŁOŻYSKA KULKOWE
1x		2x		∅120mm	UNIVERSAL PERFORATION UNIWERSALNA PERFORACJA
	OIL PROOF STEEL WORKTOP OLEJODOPORNY STALOWY BLAT				CORNER BUMPERS NAROŻNE ODBOJNIKI



LOCK PREVENTING MORE THAN ONE  
DRAWER BEING SIMULTANEOUSLY OPENED



WORKTOP LOAD UP TO 600 kg  
METAL WORKTOP  
12 DRAWERS

1000x1130 x570 mm		BALL BEARINGS ŁOŻYSKA KULKOWE	DRAWERS LOCKING BLOKADA SZUFLAD	OIL PROOF STEEL WORKTOP OLEJODOPORNY STALOWY BLAT	BRAKE HAMULEC
∅160mm		UNIVERSAL PERFORATION UNIWERSALNA PERFORACJA	DOUBLE WALLS PODWÓJNE ŚCIANY	CORNER BUMPERS NAROŻNE ODBOJNIKI	2x 

12x 

YT-09003



YT-09002

6+1 

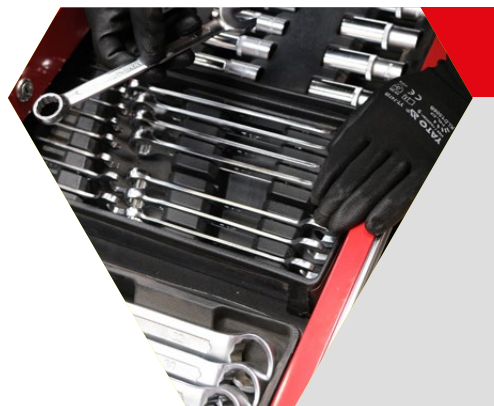


WORKTOP LOAD UP TO 600 kg  
METAL WORKTOP  
SIDE STORAGE



**YT-0913**  
6x 

- 995x680 x458 mm
- max **300 kg**
- BALL BEARINGS ŁOŻYSKA KULKOWE
- DRAWERS LOCKING BLOKADA SZUFLAD
- CENTRAL LOCK BLOKADA CENTRALNA
- NON SLIP WORKTOP BLAT ANTY-POSLIZGOWY
- 2x BRAKE HAMULEC
- ∅127 mm
- 2x 



## Roller cabinets YATO

- 16 models with or without equipment
- tools made of S2 and CrV steel of the quality sought by professionals
- diverse parameters enable optimal use of work space
- ergonomic height
- non-slip worktop with a load capacity of up to 600 kg
- heavy-duty double-walled bodies
- wide ball bearing drawerslides guarantee a load capacity of up to 35 kg
- 49 exchangeable tool inserts allow you to freely configure equipment of the roller cabinets
- tools marked with indexes make it easier to retrofit the roller cabinet
- rubber swivel wheels with brakes

Perfect equipment for professional vehicle service stations.

**YT-0914**

7x 



### Basic parameters of YATO cabinets

	dimensions (mm)	worktop load	drawers load
YT-09004	982x755x455	300	35
YT-55308	977x725x480	300	25 / 35
YT-09032	977x725x480	300	25 / 35
YT-09033	1100x990x480	300	25 / 35
YT-09002	1000x1130x570	600	25 / 35
YT-09003	1000x1130x570	600	25 / 35
YT-55300	975x765x645	300	25 / 35
YT-55299	975x765x645	300	25 / 35
YT-55307	970x770x470	300	25 / 35
YT-5530	958x766x465	430	25 / 35
YT-55290	980x770x465	420	25 / 35
YT-55293	958x766x465	400	25 / 35
YT-0902	958x766x465	450	25 / 35
YT-09000	932x665x453	210	25 / 35
YT-0913	995x680x458	300	25 / 35
YT-0914	995x680x458	300	25 / 35



TOYA S.A.  
ul. Sołtysowicka 13-15  
51-168 Wrocław  
Poland  
☎ (+48 71) 32 46 200  
fax: (+48 71) 32 46 370  
sales@yato.pl (domestic)  
export@yato.pl (export)  
import@yato.pl (import)

ODDZIAŁ WARSZAWSKI  
Teren ProLegis Park Nadarzyn  
al. Kasztanowa 160  
05-831 Młochów k. Warszawy  
Poland  
☎ (+48 22) 73 82 800  
☎ (+48 22) 73 82 828  
sales@yato.pl (domestic)  
export@yato.pl (export)

TOYA ROMANIA S.A.  
Șos. Stefănești, 8-8A  
Stefănești De Jos, Ilfov  
România  
☎ (+40 031) 710 8692  
office@yato.ro

YATO TOOLS (SHANGHAI) CO., LTD.  
No. 1, Lane 1300,  
East Kangqiao Road  
Shanghai, China 201315  
☎ (+86 21) 681 829 50  
fax: (+86 21) 681 829 51  
yato@yato-sh.com

YATO TOOLS (JIAXING) CO., LTD.  
No.1033 Yan Hu Road,  
Baibu Town, Haiyan County,  
Jiaxing City, Zhejiang Province, China  
☎ (+86 21) 681 829 50  
yato@yato-sh.com



[www.facebook.com/yatopolska](https://www.facebook.com/yatopolska)



[instagram.com/yato\\_polska/](https://www.instagram.com/yato_polska/)



[youtube.com/user/YatoTeam](https://www.youtube.com/user/YatoTeam)



[linkedin.com/company/toya-s-a-](https://www.linkedin.com/company/toya-s-a-)